



HUB CAPS

OEM grade. All sizes and types, front and rear hub caps in Super Premium chrome plated and stainless steel.

Product Information - Front and Rear Hub Caps

Basic Hub Cap Styles



Baby Moon Style

Hubdometer Style

Conical Style



Notches - Most hub caps can be divided into four groups, based on the number and placement of notches around the base. These notches allow the hub cap to fit around the 'locators' on the hub that center the wheel. The four basic notch styles are shown below.



4-Notch Style



5-Notch Style

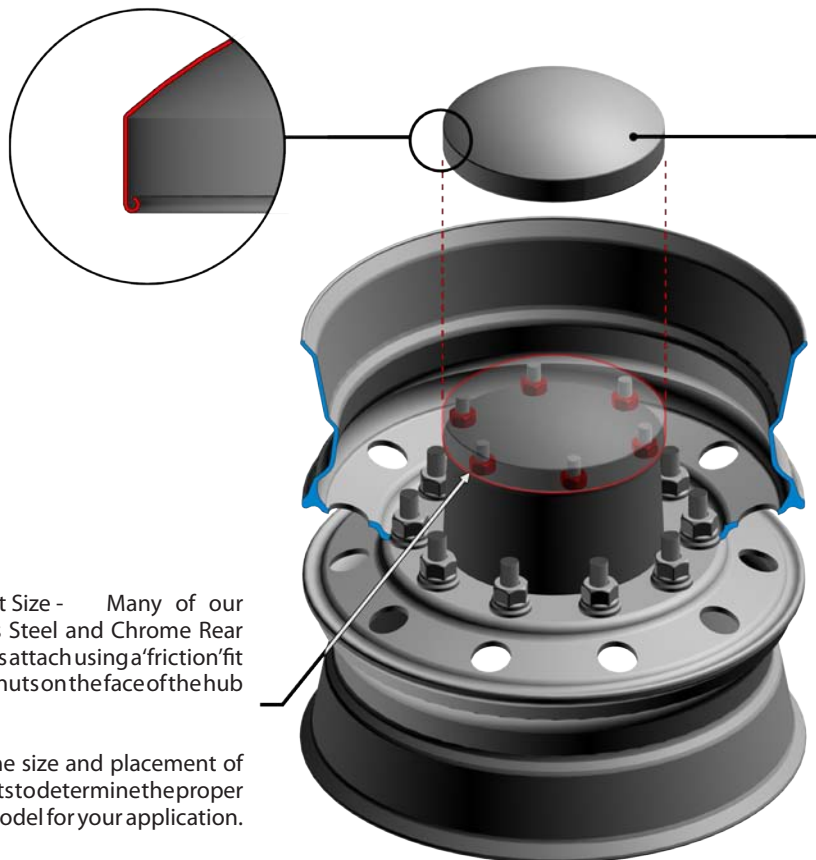


6-Notch Style



6-Notch Uneven-Cut Style

Rear Hub Cap Installation



Hub Cap - The inside of the hub cap is curled inward, and firm pressure during installation creates a tolerance fit between this edge and the exterior edges of the bolts on the hub plate as shown.

The thickness of this inside lip varies considerably depending on the model and its intended application. If the hub cap fits loosely, the hub cap may be incorrect for the size of nuts on the hub face plate.

Stud/Nut Size - Many of our Stainless Steel and Chrome Rear Hub Caps attach using a 'friction' fit over the nuts on the face of the hub plate.

Check the size and placement of these nuts to determine the proper fit and model for your application.

Product Information - Trailer Hub Cap

Trailer Hub Cap Installation

Mounting Bracket - The Mounting Bracket attaches to the hub face using the existing bolts.

Once attached, the Mounting Bracket can be used to secure a standard Rear Wheel Hub Caps such as our part number 16930, 16931, 16970 & 16971.

Hub Bolts - Remove several hub plate bolts, and re-attach through the pre-drilled Mounting Bracket holes to the hub.

The Hub Plate is pre-drilled to accommodate a wide variety of standard trailer axle hubs, and can be easily modified in the field to work with almost any axle style or manufacture.

