

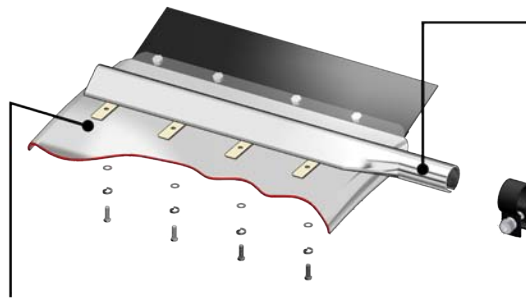
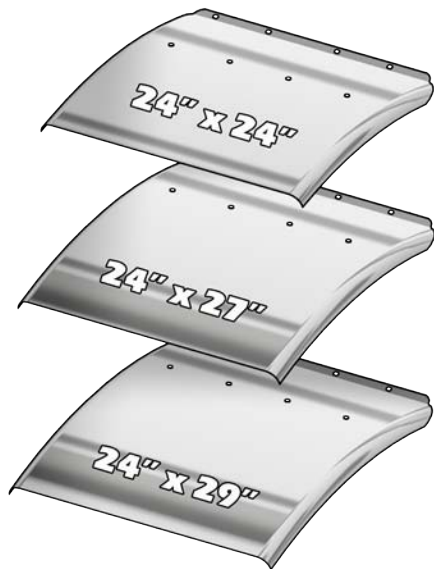


QUARTER FENDERS

Beautiful, rugged Deluxe and Economy models in mirror finish using heavy-gauge stainless steel. Triangle and tube mount styles available.

Product Information - Quarter Fenders

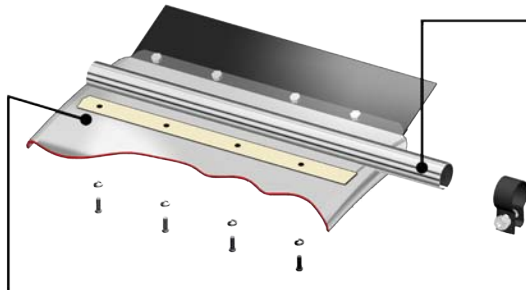
Fender Size



Triangle Mount

Quarter Fenders with the Deluxe Triangle Mount provide a unique and classy look for your quarter fenders. Deluxe Mounts feature internal hardware mounts for a clean, contemporary look. The hardware and mounts are manufactured exclusively from heavy-gauge 304 Stainless Steel.

Rubber Grommet - Three (3) or Four (4) thick rubber grommets provides vibration isolation and extends the life of the quarter fender.



Tube Mount

The standard Tube Mount is used on our Premium and Economy lines. The tube and hardware is manufactured exclusively from top-grade stainless steel, and features a unique internal mounting system that eliminates the sight of u-bolts and other external hardware.

Rubber Grommet - A thick rubber grommet provides vibration isolation and extends the life of the quarter fender.



There will be Four (4) or Three (3) Mounting holes on the blanks depending on quarter fender models.