

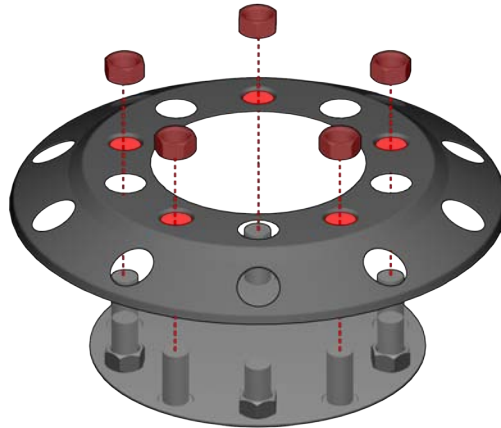


WHEEL COVERS

Front and Rear Wheel Covers manufactured from heavy-gauge premium stainless steel.

Product Information - Wheel Covers

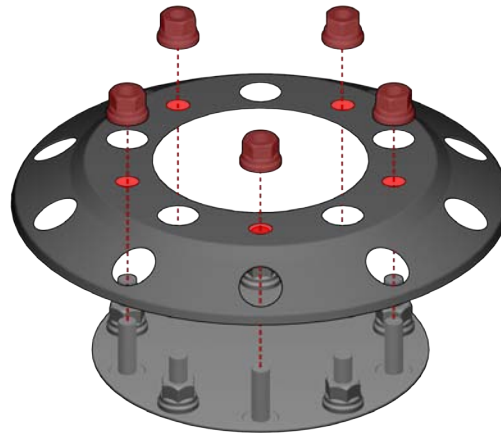
Stud-Piloted - Products designated for "stud-piloted" wheels typically have ten (10) lug holes. Five (5) of the holes are 1.25" in diameter and have a slight taper that conform to the shape of the lugnut. The other five (5) lug holes are 1.75" in diameter and are sized to slip over the existing lug nuts without removal.



Installation Tip - Our products are designed to install easily, without removing the wheel or all fasteners. Simply remove five (5) of the lug nuts, slip the Wheel Cover over the wheel, and secure with the lug nuts you removed earlier.

To prevent damaging the product, avoid over-torquing the lug nuts. Do not exceed the wheel manufacturer's recommendations.

Hub-Piloted - Products designated for "hub-piloted" wheels typically have ten (10) lug holes. Five (5) of the holes are 1" in diameter to fit over the lug bolt only, and five (5) lug holes are 1.88" in diameter and are sized to slip over the existing lug nuts without removal.



Installation Tip - Our products are designed to install easily, without removing the wheel or all fasteners. Simply remove five (5) of the lug nuts, slip the Wheel Cover over the wheel, and secure with the lug nuts you removed earlier.

To prevent damaging the product, avoid over-torquing the lug nuts. Do not exceed the wheel manufacturer's recommendations.